


Detail & Submittal Sheet

Construction Specifications:

ELITE (EL) Safeguard fire rated cabinet fronts are 16 gauge cold rolled steel with 22 gauge cold rolled steel tubs. Fronts are baked white enamel over rust inhibiting phosphate treated steel. All semi-recessed fronts have radius corners except the Apex 5lb cabinets have a 1 1/2" square trim. Stainless steel fronts come standard with white tubs. All cabinets come standard with chrome handles and clear acrylic glazing.

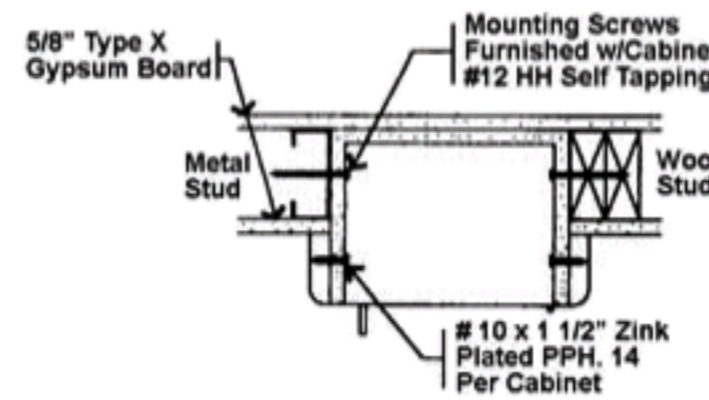
 To comply with ADA Guidelines, Extinguishers and Cabinets offer handles, brackets and return trims according to instructions provided by installer. For ADA compliance follow the specification ordering process dimensions in our catalog. Proper installation in accordance with the ADA Guidelines is the sole responsibility of the installer. For more information please visit the Accessibility Guidelines for Buildings and Facilities website or call them at 1-800-872-2253.

Project: _____
 Specification Reference: _____
 Model Number: _____ Quantity: _____
 Architect: _____
 Contractor: _____
 Distributor: _____
 Approved By: _____
 Date: _____

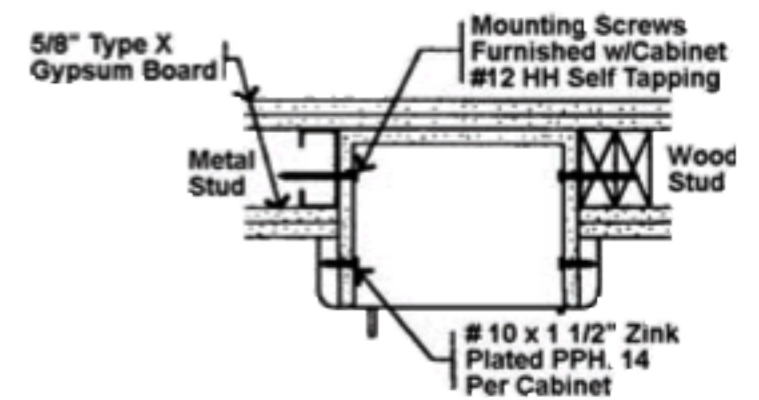
SPECIFICATION PROCESS: Follow the steps below to specify your cabinet.

- STEP 1: EXTINGUISHER SIZE:**
 5 - 5 lb. 1 - 10 lb. 2 - 20 lb.
- STEP 2: CABINET STYLE:**
 0 - Surface Mounted (S)
 1 - Semi-Recessed (SR)
 2 - Fully-Recessed (FR)
- STEP 3: DOOR STYLE:**
 6 - Full Glass (FG)
 7 - Full Metal (FM)
 8 - Vertical Duo (VD)
 9 - Center Duo (CD)
 10 - Horizontal Duo (HD)
- STEP 4: SERIES:**
 EL- Elite
- STEP 5: CABINET TYPE:**
 SG - SAFEGUARD - Fire Rated
- STEP 6: FINISH OPTIONS:**
 SSF- Stainless Steel Front
 FSS- Full Stainless Steel
 RD- Red Coated
- STEP 7: HANDLE OPTIONS:**
 008 - Safety Break Lock
 009 - Center Duo Safety Lock
 010 - Alum. Die Cast Red "Fire" Handle
 012 - ADA Handle
- STEP 8: GLAZING:**
 G10 - Double Strength Glass
 G11 - Clear Acrylic (Standard)
 G12 - Clear Tempered Glass
 G13 - Single Strength Glass
- STEP 9: LETTERING:**
 002 - Decal "Pull Firmly" R only
 003 - Decal "Fire Ext." Sm Vert R/B
 004 - Decal "Fire Ext." Lrg Vert R/B
 005 - Decal "Fire Ext." Sm Horiz R/B
 006 - Decal "Fire Ext." Lrg Horiz R/B

SAFEGUARD Typical Semi-Recessed Fire Rated Installation ONE HOUR FIRE WALL SYSTEM

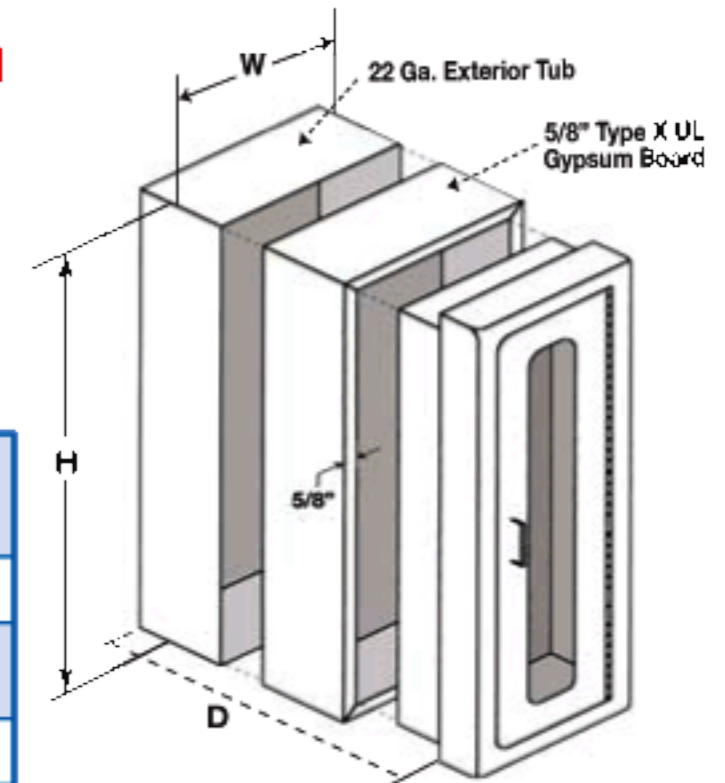


TWO HOUR FIRE WALL SYSTEM



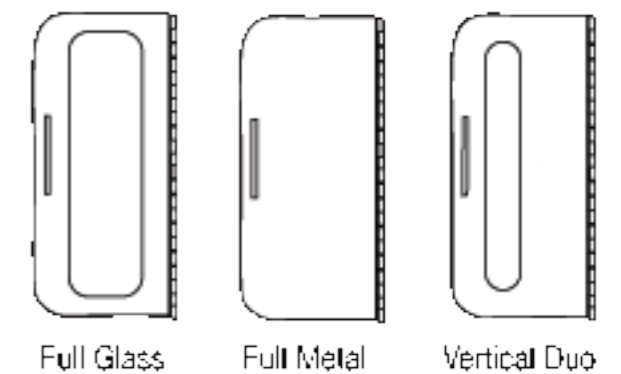
UL Classified 5/8" Type X gypsum board inserted in the cavity between the two layers. Warnock Hersey has approved the Safeguard Cabinets to be mounted in any face of fire rated steel or wood stud for up to 2 hour rated walls without affecting its fire rating. The above meets the requirement test ASTM-E119-98 with test report WHI-495-1534. MOUNTING INSTRUCTIONS are supplied with each Safeguard cabinet.

Safeguard fire rated assembly



✓	Mod. #	Interior Tub Size			Overall Outside Trim		SAFEGUARD Rough Opening	SAFEGUARD Trim Style	Accom. Ext Size		
		W	H	D	W	H				Lbs.	
Semi-Recessed											
	516-EL-SG	8"	17"	5"	10 3/4"	19 3/4"	9 3/4"	18 3/4"	4"	1 1/2"	5
	517-EL-SG	8"	17"	5"	10 3/4"	19 3/4"	9 3/4"	18 3/4"	4"	1 1/2"	5
	518-EL-SG	8"	17"	5"	10 3/4"	19 3/4"	9 3/4"	18 3/4"	4"	1 1/2"	5
	116-EL-SG	9 1/2"	24"	6"	13 1/2"	28 1/2"	11 1/4"	25 3/4"	3 3/4"	3"	10
	117-EL-SG	9 1/2"	24"	6"	13 1/2"	28 1/2"	11 1/4"	25 3/4"	3 3/4"	3"	10
	118-EL-SG	9 1/2"	24"	6"	13 1/2"	28 1/2"	11 1/4"	25 3/4"	3 3/4"	3"	10
	216-EL-SG	12"	27"	8"	16"	31"	13 1/2"	28 3/4"	4 3/4"	4"	20
	217-EL-SG	12"	27"	8"	16"	31"	13 1/2"	28 3/4"	4 3/4"	4"	20
	218-EL-SG	12"	27"	8"	16"	31"	13 1/2"	28 3/4"	4 3/4"	4"	20
Fully-Recessed											
	526-EL-SG	8"	16 3/4"	5"	12"	21"	9 3/4"	18 3/4"	5 1/2"	1/4"	5
	527-EL-SG	8"	16 3/4"	5"	12"	21"	9 3/4"	18 3/4"	5 1/2"	1/4"	5
	528-EL-SG	8"	16 3/4"	5"	12"	21"	9 3/4"	18 3/4"	5 1/2"	1/4"	5
	126-EL-SG	9 1/2"	24"	6"	14"	28 1/2"	11 1/4"	25 3/4"	6 1/2"	1/4"	10
	127-EL-SG	9 1/2"	24"	6"	14"	28 1/2"	11 1/4"	25 3/4"	6 1/2"	1/4"	10
	128-EL-SG	9 1/2"	24"	6"	14"	28 1/2"	11 1/4"	25 3/4"	6 1/2"	1/4"	10
	226-EL-SG	12"	27"	8"	16"	31"	13 1/2"	28 3/4"	8 1/2"	1/4"	20
	227-EL-SG	12"	27"	8"	16"	31"	13 1/2"	28 3/4"	8 1/2"	1/4"	20
	228-EL-SG	12"	27"	8"	16"	31"	13 1/2"	28 3/4"	8 1/2"	1/4"	20

Standard Door Styles



Optional Door Styles

